

# HPS246

## HIGH POWER SUBWOOFER SYSTEM



- Dual 18" LF Subwoofer
- Powering Mode: Passive with external Digital Processor
- For Touring Use or Permanent Installation

### Product Information

HPS246 provides high output, low distortion sound reinforcement. The cabinet is constructed of birch plywood of 18 mm and each woofer works in its own cabinet with optimized reflex for low distortion. The woofer construction is custom of 460 mm (18") diameter with 115 mm (4.5") split winding copper voice coil, 60 mm (2.4") peak-to-peak excursion before damage, double silicone spider with optimized compliance, ventilated voice coil gap for reduced power compression, aluminium demodulating ring for very low distortion. HPS246 is designed for a wide-range of professional applications. High performances and very high peak output for concert sound. HPS246 powering mode is only passive amplified operation with external Digital Processor.

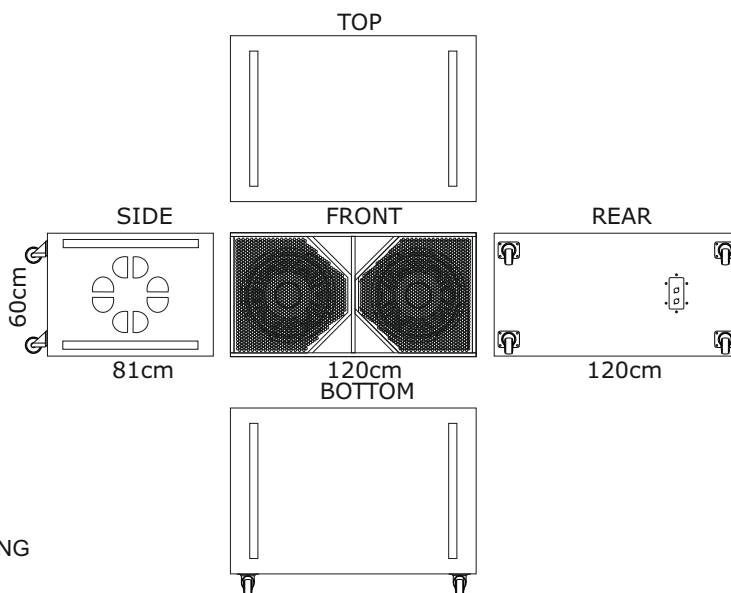
### Enclosure Material

- Enclosure Material: Birch Plywood of 18 mm
- Finish: Texture Polyurethane Black Paint
- Grille: Powder Coated Perforated Steel with anti-dust foam
- Connectors: 2 Neutrik NL4 Speakon

### Data Sheet

Frequency Response	±5 dB 25 Hz ~ 120 Hz -10 dB 20 Hz
Sensitivity (1 Watt @ 1 m) Max SPL Calculated	101 dB 136 dB
Nominal Input Impedance (Ω)	4 Ω
Power Handling (Watts Cont. AES) Peak Power	3400 W 13600 W
Nominal Dispersion (@ -6 dB)	360°
Dimensions mm (±1 mm) (H x W x D)	600 x 1200 x 810
Weight	99 Kg

SUBWOOFER



INSTALL | CONCERT HALL | STADIUM | TOURING