



- 21" Reflex Subwoofer System
- Powering Mode: Passive with external Digital Processor
- For Touring Use or Permanent Installation

Product Information

OCTO21 provides high output, low distortion sound reinforcement, it is designed for a wide-range of professional applications and is ideal to reproduce very low frequencies. OCTO21 enclosure uses one woofer of 547 mm (21") very high excursion cone with 150 mm (6") voice coil of New Technology Split Winding, 60 mm peak-to-peak excursion before damage Neodymium magnet allows a very high force factor and linear excursion, Double silicone spider with optimized compliance Ventilated voice coil gap for reduced power compression, Aluminium demodulating ring for very low distortion. The woofer is mounted in a reflex box hard and reinforced with 30 mm front and rear panel. OCTO21 powering mode is only passive amplified operation with external Digital Processor.

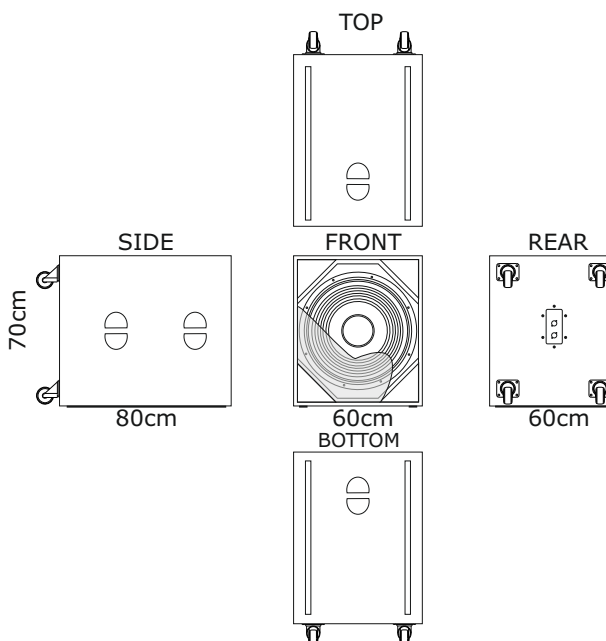
Enclosure Material

- Enclosure Material: Birch Plywood of 18/30 mm
- Finish: Texture Polyurethane Black Paint
- Grille: Powder Coated Perforated Steel with anti-dust foam
- Connectors: 2 Neutrik NL4 Speakon

Data Sheet

Frequency Response	±5 dB 30 Hz ~ 150 Hz -10 dB 25 Hz
Sensitivity (1 Watt @ 1 m) Max SPL Calculated	96 dB 129 dB
Nominal Input Impedance (Ω)	8 Ω
Power Handling (Watts Cont. AES) Peak Power	2000 W 8000 W
Nominal Dispersion (@ -6 dB)	360°
Dimensions mm (±1 mm) (H x W x D)	700 x 600 x 800
Weight	70 Kg

SUBWOOFER



INSTALL | CONCERT HALL | STADIUM | TOURING