

PULCE

EXTREMELY COMPACT LOUDSPEAKER SYSTEM



- 3" Cone Full Range Driver with 1" Voice Coil Sealed Enclosure
- High-Quality Distributed Systems, Paging and Music, Sorround
- Background Music Systems in Restaurants and Clubs
- Audio for Museum & Exhibition Displays
- Custom Color Available
- Flexible Mounting Options for Easy Installation

Product Information

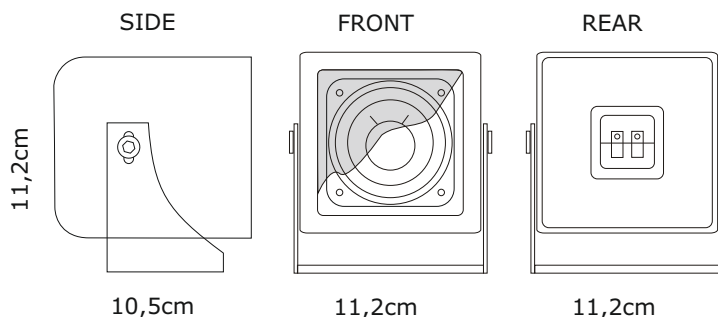
PULCE loudspeaker is extremely compact and wide-range loudspeaker for high quality distributed system applications. PULCE comprises a single 80 mm (3") cone driver with 25 mm (1") voice coil mounted in a sealed enclosure of MDF of 12 mm with U-bracket. It can be ordered custom-painted to match decor and is fitted with a perforated steel grille.

Data Sheet

Frequency Response	±5 dB 120 Hz ~ 18 KHz -10 dB 110 Hz
Sensitivity (1 Watt @ 1 m) Max SPL Calculated	87 dB 101 dB
Nominal Input Impedance (Ω)	16 Ω
Power Handling (Watts Cont. AES) Peak Power	30 W 120 W
Nominal Dispersion (@ -6 dB)	80° (H) x 80° (V)
Dimensions mm (±1 mm) (H x W x D)	105 x 112 x 112
Weight	0,8 Kg

Enclosure Material

- Enclosure Material: MDF of 12 mm
- Finish: Texture Polyurethane Black Paint
- Suspension: U Bracket System
- Grille: Powder Coated Perforated Steel with anti-dust foam
- Connectors: Black and Red Clamps



INSTALL | EVENTS