

QREX

HORN LOADED LONG-THROW ARRAYABLE SYSTEM



- Arrayable Coaxial Horn System
- 3" HF on Horn 60° x 40° coaxl
- 12" LF on Reflex Horn 60° x 40° coax Enclosure
- Powering Mode: Full-Range Passive
- For Touring or Permanent Installation

Product Information

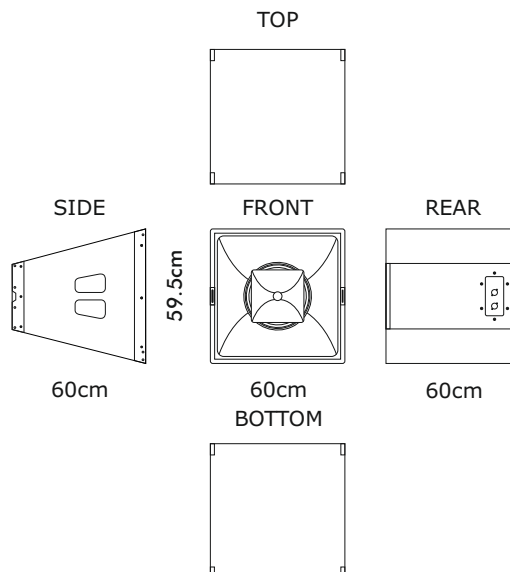
2-WAY Vertical Arrayable Coaxial Horn loudspeaker of high output and low distortion sound reinforcement for the entire range of pro audio application. Ideal for medium to long-throw applications. This system is designed for high performance and very high peak output for concert sound and big event of disco music, also ideal for any permanent application. The trapezoidal cabinet is constructed with 18 mm birch plywood and coated polyurethane paint. The powering mode is full range passive with input and link of NL4 type connectors.

Data Sheet

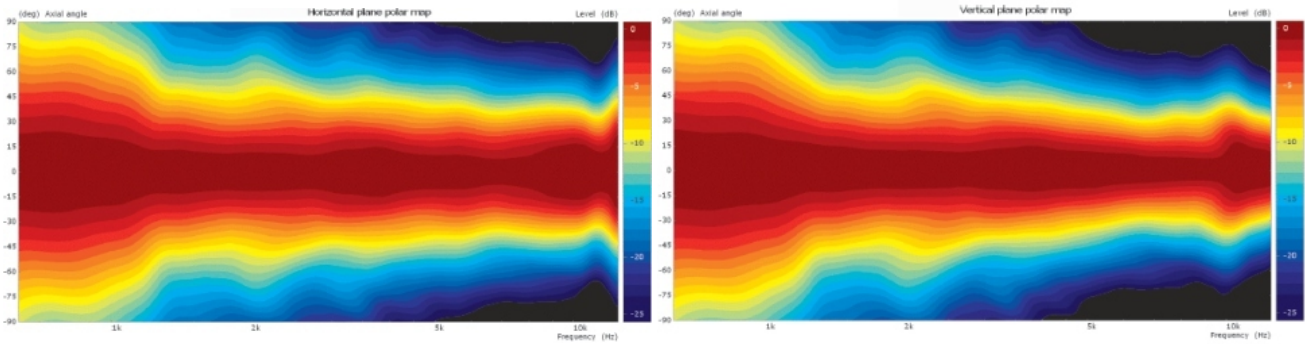
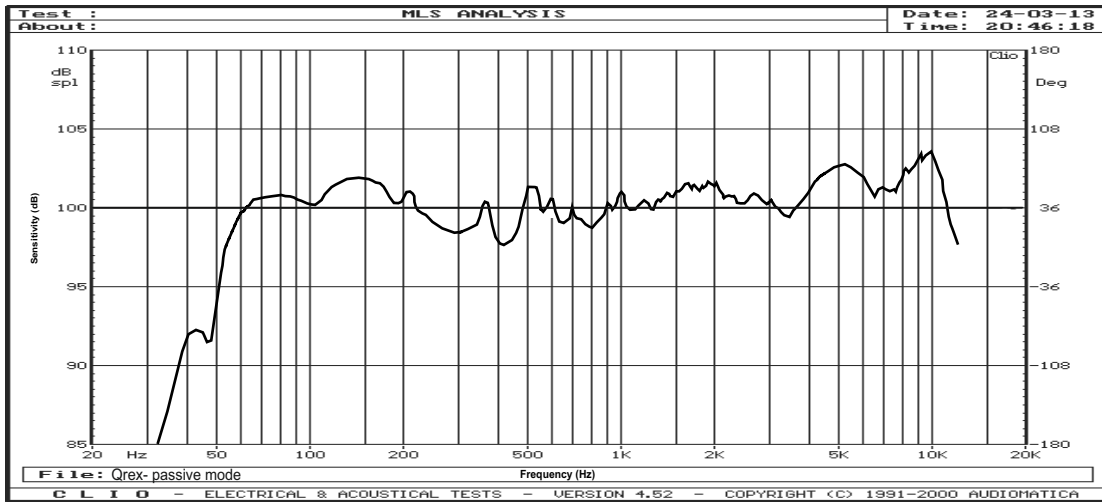
Frequency Response	±2.5 dB 90 Hz ~ 20 KHz -10 dB 65 Hz
Sensitivity (1 Watt @ 1 m) Max SPL Calculated	Full Range 101 dB Full Range 129 dB
Nominal Input Impedance (Ω)	8 Ω
Power Handling (Watts Cont. AES) Peak Power	Full Range 700 W 2800 W
Nominal Dispersion (@ -6 dB)	60° (H) x 40° (V)
Dimensions mm (±1 mm) (H x W x D)	59.5 x 600 x 600
Weight	43 Kg

Enclosure Material

- Enclosure Material: Birch Plywood of 18 mm
- Finish: Texture Polyurethane Black Paint
- Fly Hardware Array Concept Included
- Grille: Powder Coated Perforated Steel
- Connectors: 2 Neutrik NL4 Speakon
- Optional Accessories: Skate with Wheels

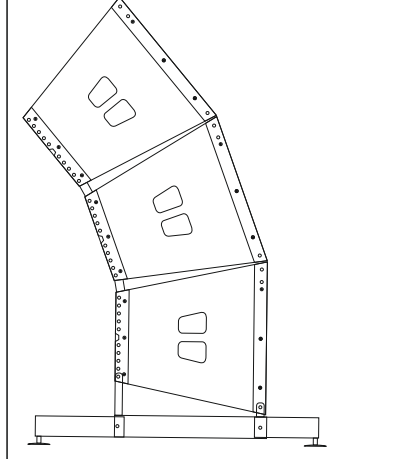
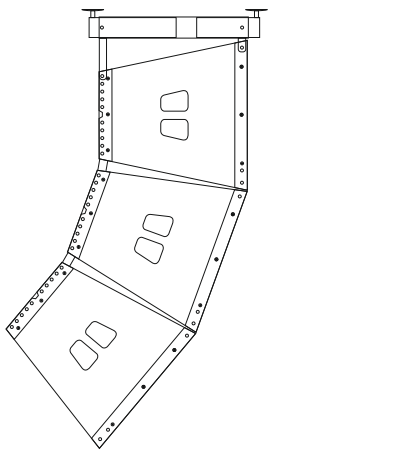


ARENA | CONCERT HALL | CLUB | LIVE | TOURING

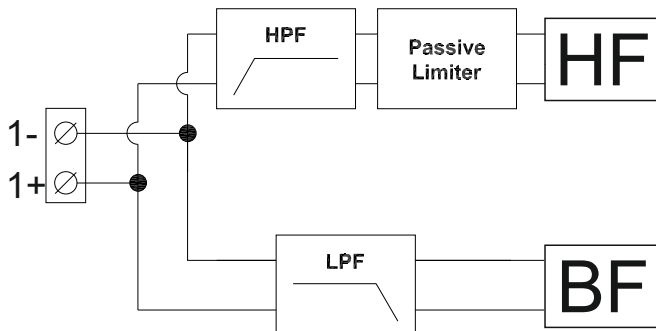


Flying mode configuration

Stacking mode configuration



Installation may happen both in Flying or Stacking mode fixing the metal bar to the hole placed on the case. Each consecutive hole allows a further inclination of 5 degrees.



LSS Advanced Speakers Systems

è impegnata in una continua ricerca al fine di migliorare i propri prodotti. Perciò alcuni dati dichiarati potrebbero essere variati o differire da i prodotti in uso. LSS garantisce i propri prodotti secondo le norme regolate dalla Comunità Europea.

POINT SOURCE