



## PROFESSIONAL AUDIO SYSTEM

# LT60



## OPERATING MANUAL

Ver. LT60-EN-1.0

**LSS Advanced Speaker Systems**

Via On. Longo 53-89024 Polistena (RC) ITALY Tel (39) 966 9321299 – Fax (39) 966 933007 Email: info@lss.it - Internet: www.lss.it

## **NOTICE:**

LSS products are manufactured for use according to proper procedures by a qualified operator and only for the purposes described in this manual. The following conventions are used to indicate and classify precautions in this manual. Always heed the information provided with them. Failure to heed precautions can result in injury to people or damage to property.

## **© LSS, 2014**

All rights reserved. No part of this publication may be reproduced, stored in a retrieval system, or transmitted, in any form, or by any means, mechanical, electronic, photocopying, recording, or otherwise, without the prior written permission of LSS.

No patent liability is assumed with respect to the use of the information contained herein. Moreover, because LSS is constantly striving to improve its high-quality products, the information contained in this manual is subject to change without notice. Every precaution has been taken in the preparation of this manual. Nevertheless, LSS assumes no responsibility for errors or omissions. Neither is any liability assumed for damages resulting from the use of the information contained in this publication.

---

## SUMMARY

SAFETY AND WARNING.....	4
INTRODUCTION .....	4
APPLICATION.....	6
PHYSICAL DESCRIPTION.....	6
TECHNICAL SPECIFICATIONS .....	8
INSTALLATION AND WIRING .....	9
WEEE DIRECTIVE .....	11
DIMENSIONS.....	12
NOTES .....	12

## INTRODUCTION

Congratulation on the purchase of your new LSS loudspeaker.

LSS produce professional audio products – the result of exceptional engineering and meticulous craftsmanship.

This manual is intended for use with LSS loudspeaker. This includes: safety precautions; installation, set-up and operating instruction.

Please read this manual plus any accompanying manual and follow all relevant precautions and instructions. This should allow you to obtain the maximum performance from your new loudspeaker.

Where there are conflicts or overlaps, the information in any accompanying manual supersedes the information in this manual.

Quality innovation and versatility, this is a summary of the new system developed by LSS for professional sound users.

Advanced solutions: self powered system with digital module DSP by POWERSOFT, extreme ruggedness, ease of transport and use of professional components.

## SAFETY AND WARNING

### IMPORTANT! SAFETY WARNING!

In the interest of their own and others' safety and to prevent voiding the warranty, we recommend a careful reading of this section before using the product.

- This product was designed and manufactured to be used as a speaker system in the context of a typical sound reinforcement system.

The use for any purpose other than these is not provided by the manufacturer and is therefore under the direct responsibility of the user / installer.

- This device complies with class I (must be connected to the outlet with a protective earthing connection).



#### WARNING

RISK OF ELECTRIC SHOCK  
DO NOT OPEN

TO REDUCE THE RISK OF ELECTRIC SHOCK  
DO NOT REMOVE COVER (OR BACK)  
NO USER SERVICEABLE PARTS INSIDE  
REFER SERVICING TO QUALIFIED SERVICE PERSONNEL  
TO REDUCE THE RISK OF FIRE OR ELECTRIC SHOCK  
DO NOT EXPOSE THIS EQUIPMENT TO RAIN OR MOISTURE

### TO AVOID THE RISK OF FIRE AND / OR ELECTRIC SHOCK\*:

- Do not expose this system to rain or moisture. Do not expose the apparatus to dripping or splashing water. Do not place objects filled with liquids, such as drinks, on the apparatus.

- Before connecting the system, be sure the mains voltage corresponds to that stated on the product.

- Connect this appliance to a power outlet with earth contact, according to national security force, via a power cable of adequate section ends with a plug or connector that meets the applicable safety regulations.

- The unit is connected to the network even when the power switch is in position '0' (OFF). Before any maintenance, disconnect the power cable from the outlet.

\*Risk of electric shock only for self-powered system.

### IMPORTANT! SAFETY PRECAUTIONS!

Read This First.

Read and heed all warnings and safety instructions in this Manual before using the product.

Failure to follow all precautions can result in equipment damage and / or personal injury.

1. Read these instructions.
2. Keep these instructions
3. Heed all warnings and follow all instructions.
4. Use only attachments/accessories specified by the manufacturer.
5. Use only with the cart, stand, tripod, bracket, or table specified by the manufacturer, or sold with the apparatus. When a cart is used, use caution when moving the cart/apparatus combination to avoid injury from tip-over.
6. Refer all servicing to qualified service personnel. Servicing is required when the apparatus has been damaged in any way, such as power-supply cord or plug is damaged, liquid has been spilled or objects have fallen into the apparatus, the apparatus has been exposed to rain or moisture, does not operate normally, or has been dropped.
7. LSS loudspeakers can produce sound levels capable of causing permanent hearing damage from prolonged exposure. The higher the sound level, the less exposure needed to cause such damage

CAUTION: This product is energized as long as it is connected to the AC.

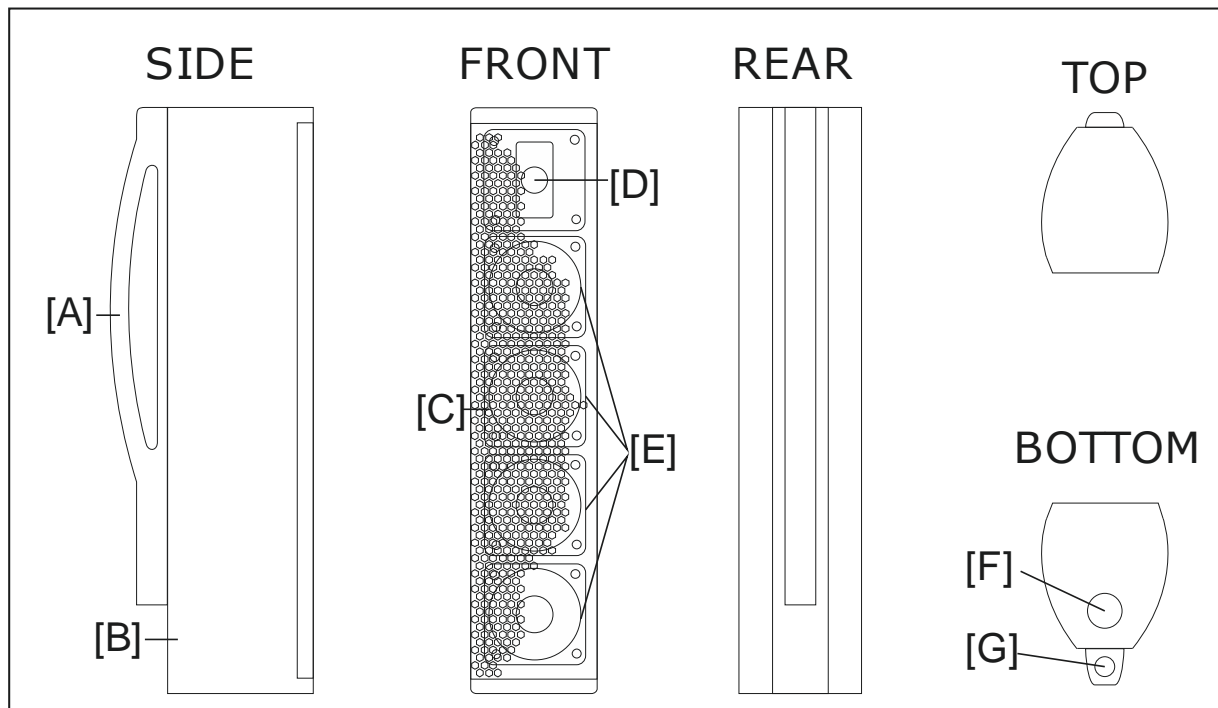
CAUTION: Allow at least six inches of free space all around the amplifier for sufficient ventilation.

## APPLICATION

LSS's LT60 is a compact self-powered system that uses a subwoofer of 250mm (10") in reflex configuration with integrated digital module, the same has an active output that controls the satellite with 4 customizable presets on request.

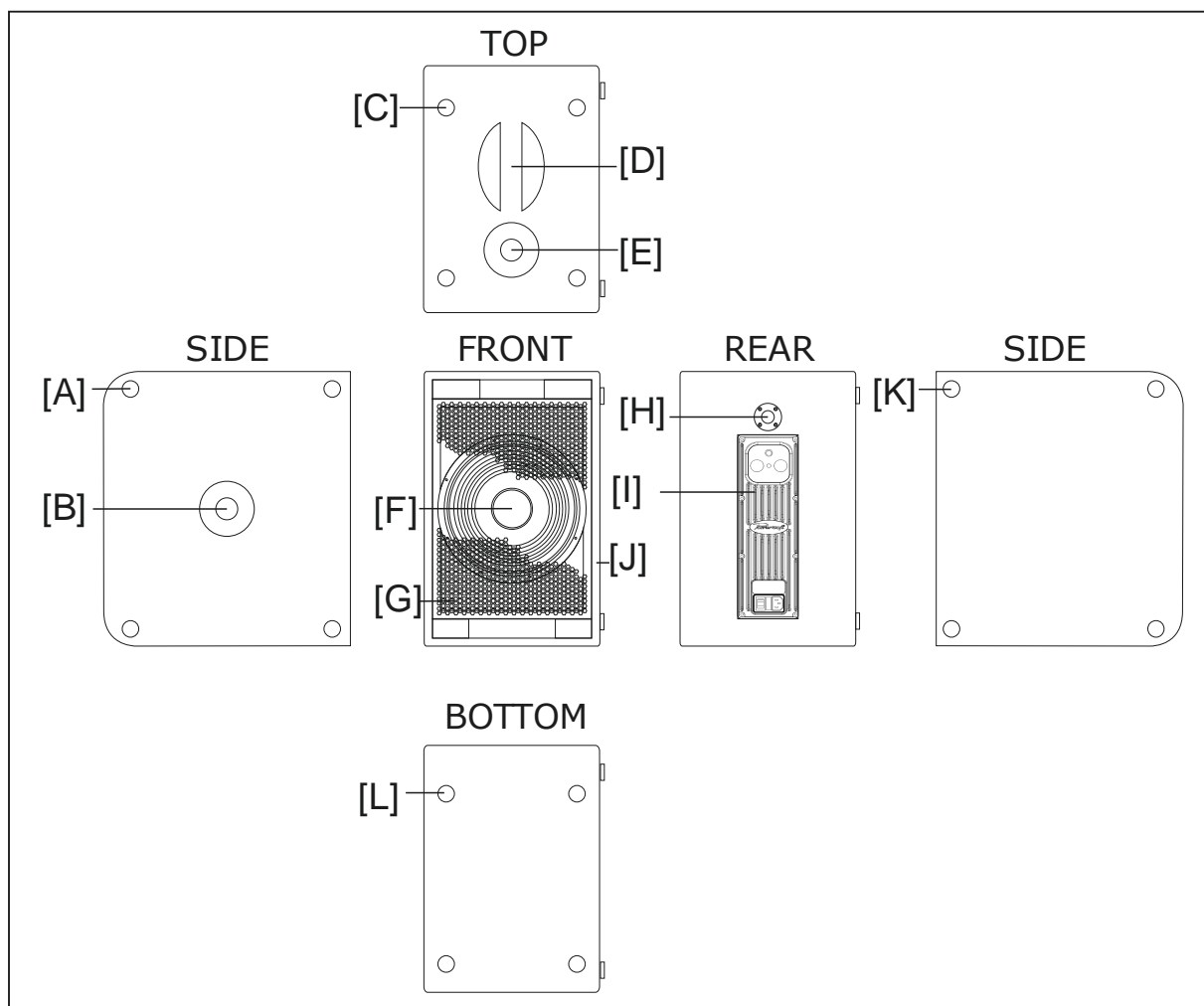
The subwoofer can be placed in two positions (vertical and horizontal). The satellite is configured as a mini line array with 4 mid-woofers of 100 mm (4") and 26 mm (1") waveguide specifically designed for optimal coverage. Impact, natural sound and portability are the strong point of this system.

## PHYSICAL DESCRIPTION



- [A] Handle
- [B] Enclosure Cabinet
- [C] Steel Protection Grid
- [D] HF Driver

- [E] Tweeter
- [F] Pole Mount Hole
- [G] Speakon Connection



- [A] Recessed for Supporting Feet
- [B] Pole Mount Plate
- [C] Recessed for Supporting Feet
- [D] Enclosure Cabinet
- [E] Pole Mount Plate
- [F] Woofer

- [G] Steel Protection Grid
- [H] Speakon connection for Sat
- [I] Connectin Panel
- [J] Enclosure Cabinet
- [K] Supporting Feet
- [L] Supporting Feet

Materials and construction meet the highest professional standards to ensure maximum reliability

## TECHNICAL SPECIFICATIONS

### SUB

<b>PHYSICAL</b>	<b>Dimensions mm (<math>\pm 1</math> mm) [Inches]</b>	Height 500 [19.68"]
		Front Width 330 [12.99"]
		Depth 450 [17.71"]
	<b>Weight Kilograms</b>	Net Weight 21
Shipping Weight 23		
<b>SYSTEM PERFORMANCE</b>	<b>Frequency Response</b>	$\pm 5$ dB 50 Hz ~ 120 Hz
		-10 dB 35 Hz
	<b>Sensitivity (1 Watt @ 1 m)</b>	LF Range Passive 95 dB
	<b>Max SPL Calculated</b>	120 dB
	<b>Nominal Input Impedance (<math>\Omega</math>)</b>	LF Range Passive 4 $\Omega$
	<b>Power Handling (Watt EIAJ)</b>	LF Range 350
<b>Nominal Dispersion (@ -6 dB)</b>	360°	
<b>MECHANICAL</b>	<b>Enclosure material</b>	Birch Plywood of 15 mm [0.60 inches]
	<b>Finish</b>	Texture poliuretanic black paint
	<b>Grille</b>	Powder coated perforated steel with anti-dust foam
	<b>Connectors</b>	Neutrik Powercon
	<b>Accessories</b>	Soft Cover (Included)

### SAT

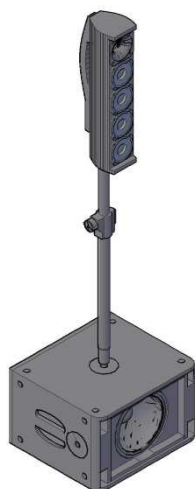
<b>PHYSICAL</b>	<b>Dimensions mm (<math>\pm 1</math> mm) [Inches]</b>	Height 595 [23.42"]
		Front Width 130 [5.12"]
		Rear Width 35 [1.38"]
		Depth 210 [8.28"]
<b>Weight Kilograms</b>	Net Weight 8	
	Shipping Weight 9	
<b>SYSTEM PERFORMANCE</b>	<b>Frequency Response</b>	$\pm 5$ dB 135 Hz ~ 20 KHz
		-10 dB 100 Hz
	<b>Sensitivity (1 Watt @ 1 m)</b>	Full Range Passive 95 dB
	<b>Max SPL Calculated</b>	120 dB
	<b>Nominal Input Impedance (<math>\Omega</math>)</b>	Full Range Passive 4 $\Omega$
	<b>Power Handling (Watt EIAJ)</b>	Full Range 350
<b>Nominal Dispersion (@ -6 dB)</b>	Horizontal 80°	
	Vertical 25 °	
<b>MECHANICAL</b>	<b>Enclosure material</b>	Birch Plywood of 15 mm [0.59"] and 6 mm on sides [0.23"]
	<b>Finish</b>	Texture poliuretanic black paint
	<b>Suspension</b>	Pole Mount
	<b>Grille</b>	Powder coated perforated steel with anti-dust foam
	<b>Connectors</b>	Neutrik Speakon NL4
	<b>Accessories</b>	Pole Mount, Soft Bag (Included)



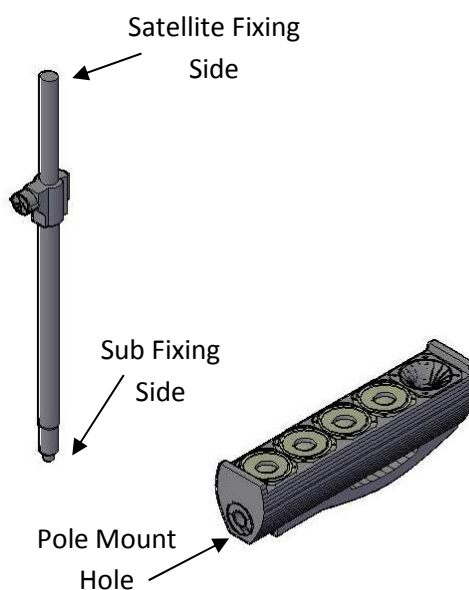
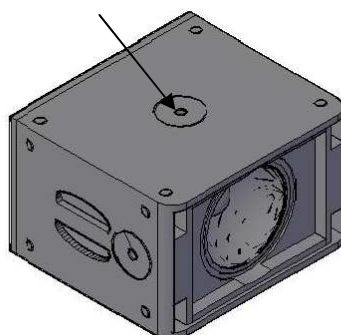
## INSTALLATION AND WIRING

LT60 speaker must be installed on the floor. Subwoofer can be placed in two positions: vertical or horizontal.

After choosing the desired position, arrange the sub with the side containing the fixing plate of the pole upwards, then tighten the pole and install the satellite.

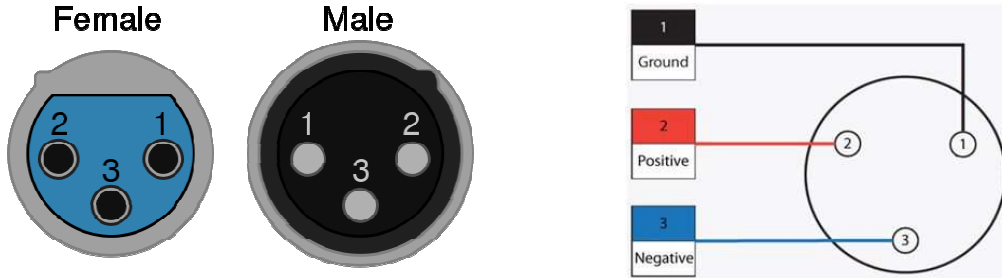


Pole Mount  
Plate



Choose a safe mounting location, so as to prevent the cables can be stepped on or create tripping hazards.

Connection are made via 3-pin XLR connector.



Before making connection between mixer and active speaker, make sure all the switches of the speakers are turned off and the mixer volume is turned down. To avoid a sudden signal, making connection, then turn on the mixer first and then the speakers. Turn on the amplifier by the power switch to position 1 (on).

When the system will start turn on 3 LEDs, after a few seconds only two will stay On or three if the input signal is present, when the amplifier turn On, start with the preset previously loaded.

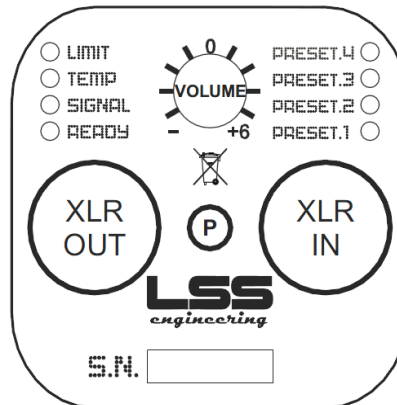
You can now use the system.

If necessary, adjust the volume by adjusting the potentiometer. If you want to change the preset, follow the instruction below.

**LOADING A PRESET**

The active preset is indicated by the corresponding LED. It is possible to change presets by pressing the center pushbutton **P**.

- P1** – preset 1 (green): indicates the factory presets **LOAD**
- P2** – preset 2 (green): indicates the factory presets **ACOUSTIC**
- P3** – preset 3 (green): indicates the factory presets **JAZZ**
- P4** – preset 4 (green): indicates the factory presets **FLAT**



## WEEE DIRECTIVE

### WEEE Directive

#### Warning!

The product is marked with this symbol which indicates not to discard electrical and electronic equipment via the normal procedure for disposal of household waste. For these products there is a diverse collection system in accordance with legislation that requires proper treatment, recovery and recycling of used products. For more information please contact the appropriate local authority.

The black bar underneath indicates that the product was placed on the market after 13 August 2005.

### INFORMATION FOR PROPER DISPOSAL

#### For home users

##### In the European Union

Warning: To dispose of this equipment, do not use the ordinary dust bin!

The electrical and electronic equipment must be treated separately and in accordance with legislation that requires proper treatment, recovery and recycling of used products. Following the implementation by member states, private households within the EU can give free electrical and electronic equipment to designated collection facilities \*.

In some countries (\*), your local retailer may withdraw the old product for free if you purchase a new one of similar type.

\* For more information please contact the appropriate local authority.

**In countries outside the EU:** please contact your local authorities and ask for the correct method of disposal.

**In Switzerland:** Used electrical or electronic equipment can be returned free of charge to the dealer, even if you do not purchase a new product.

Further collection facilities are listed on the homepage or [www.swico.ch](http://www.swico.ch).  
[www.sens.ch](http://www.sens.ch).

#### For professional users

##### In the European Union

Warning: If the product is used for business purposes, the following steps to delete it:

contact your LSS dealer for information about the product recall.

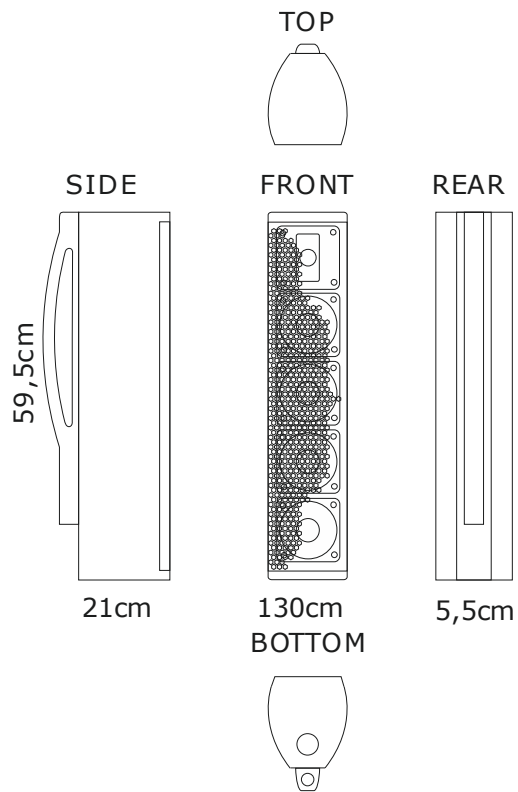
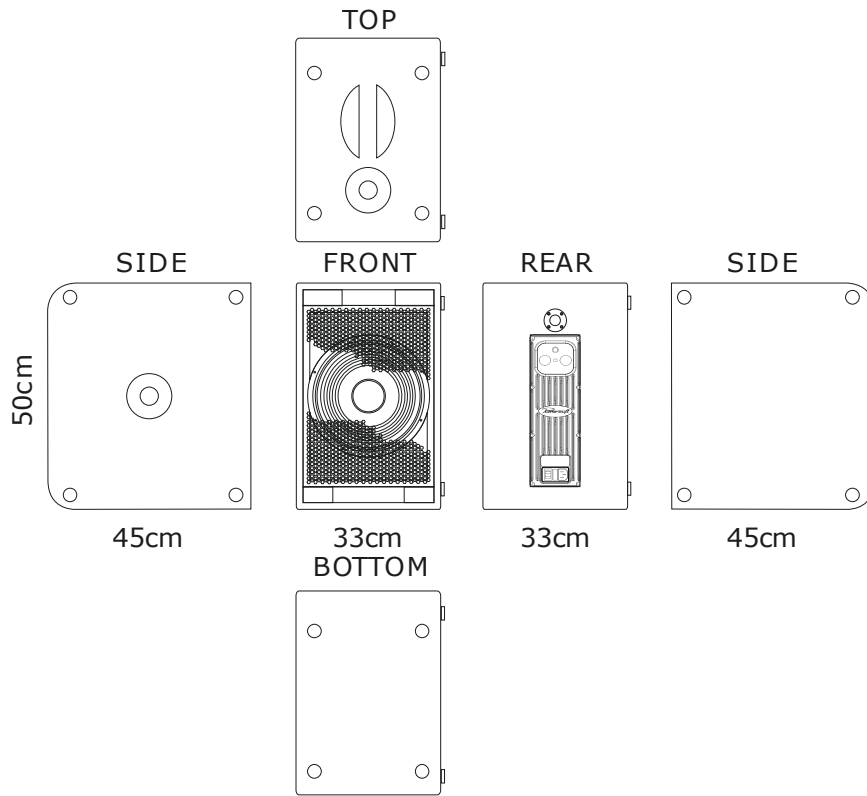
Might be charged for the costs of collection and recycling. Small products (and amounts) might be taken back by your local collection facilities.

**In Spain:** contact the established collection system or the local authority for collection of used products.

**In countries outside the EU:** please contact your local authorities and ask for the correct method of disposal.



## DIMENSIONS



---

## NOTES



**CONTACT INFORMATION:**

**LSS Advanced Speaker Systems**

Via On. Longo 53  
89024 Polistena (RC) ITALY  
Tel (39) 966 9321299 – Fax (39) 966 933007  
Email: [info@lss.it](mailto:info@lss.it) - Internet: [www.lss.it](http://www.lss.it)