

PSUB2

REFLEX SUBWOOFER SYSTEM



- Dual 15" Neodymium LF Subwoofer
- Powering Mode: Passive with external Digital Processor
- For Touring Use or Permanent Installation

Product Information

PSUB2 provides high output, low distortion sound reinforcement. PSUB2 is designed for a wide-range of professional application. PSUB2 enclosure uses dual woofers of 380 mm (15") diameter with 100 mm (4") winding copper voice coil, double silicone spider with optimized compliance, ventilated voice coil gap for reduced power compression. Aluminium demodulate ring for very low distortion. High performance and very high peak output for concert sound and disco music. PSUB2 powering mode is only passive amplified operation with external Digital Processor.

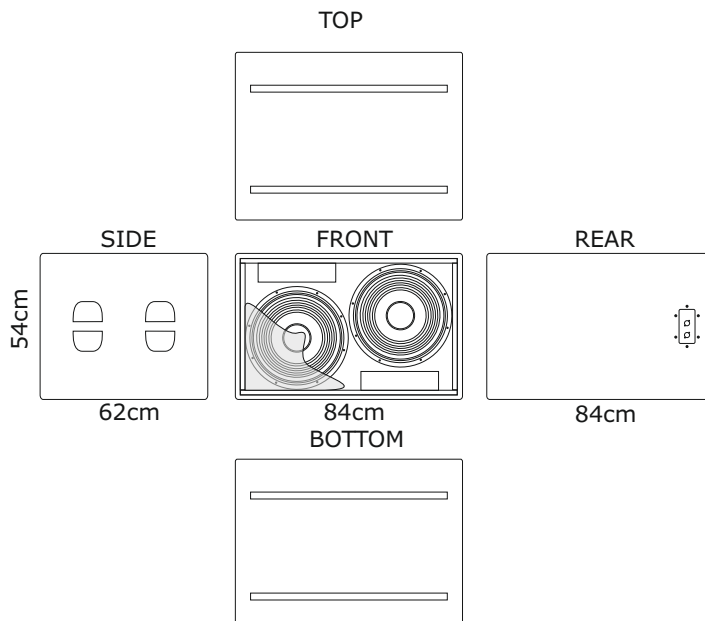
Data Sheet

Frequency Response	±5 dB 40 Hz ~ 150 Hz -10 dB 30 Hz
Sensitivity (1 Watt @ 1 m) Max SPL Calculated	101 dB 135 dB
Nominal Input Impedance (Ω)	4 Ω
Power Handling (Watts Cont. AES) Peak Power	2400 W 9600 W
Nominal Dispersion (@ -6 dB)	360°
Dimensions mm (±1 mm) (H x W x D)	540 x 840 x 620
Weight	70 Kg

SUBWOOFER

Enclosure Material

- Enclosure Material: Birch Plywood of 18 mm
- Finish: Texture Polyurethane Black Paint
- Grille: Powder Coated Perforated Steel with anti-dust foam
- Connectors: 2 Neutrik NL4 Speakon



INSTALL | EVENTS | PORTABLE | TOURING